

PRODUCT CODE: AB16G-K
ADAPTABLE BOX - KNOCKOUT



DESCRIPTION

225 x 150 x 50mm (9 x 6 x 2") Adaptable Box with Knock-outs

FINISH

Pre Galvanised

MATERIAL

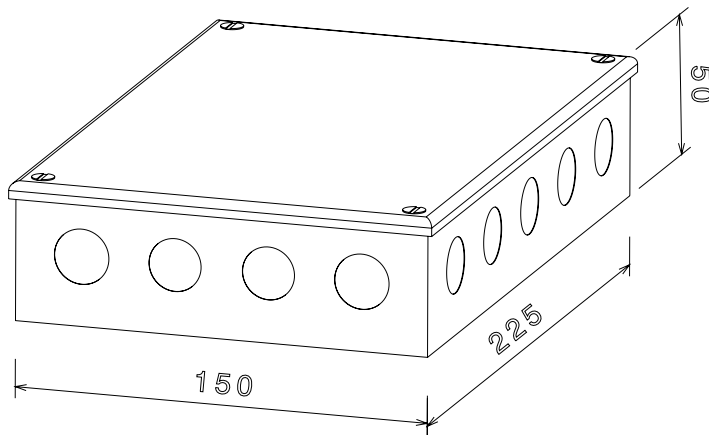
Galvanised Sheet Steel

PACKAGING

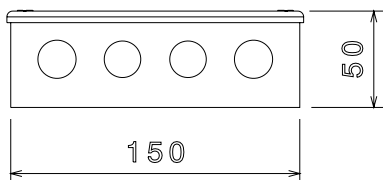
Packed in qty 5 (can be purchased individually)

ADDITIONAL NOTES

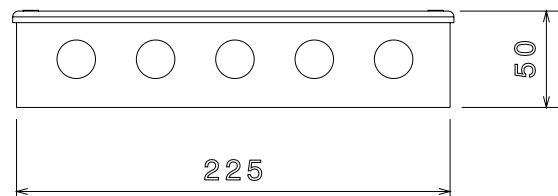
Comprises body, flanged cover and M5 x 10mm lid fixing screws
Knock outs - 4 x 20mm (end face) 5 x 20mm (side face)
Compliant to LU Standard 1-085 (for use on surface & sub-surface locations)



Isometric view



Front view



Side view